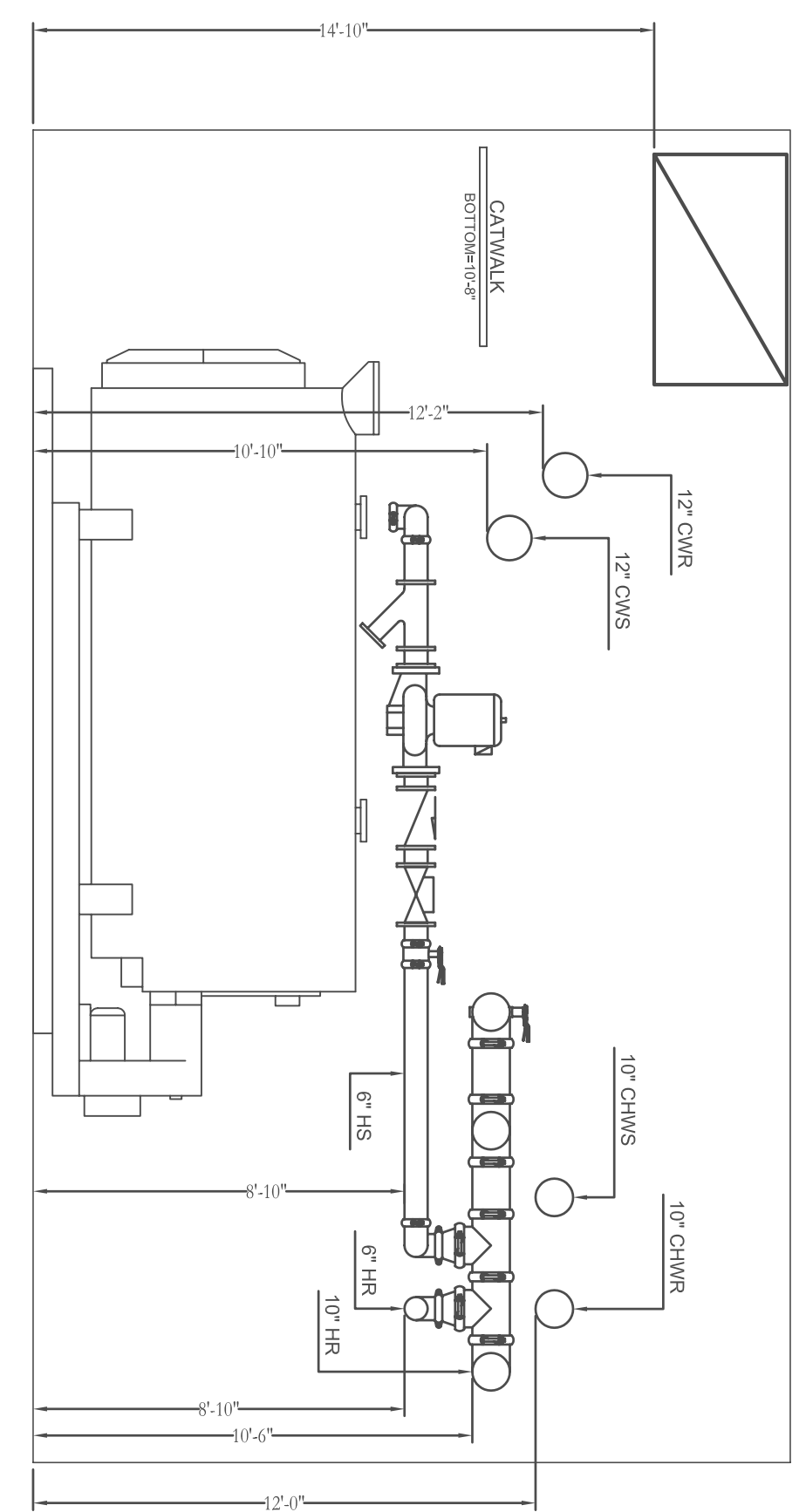
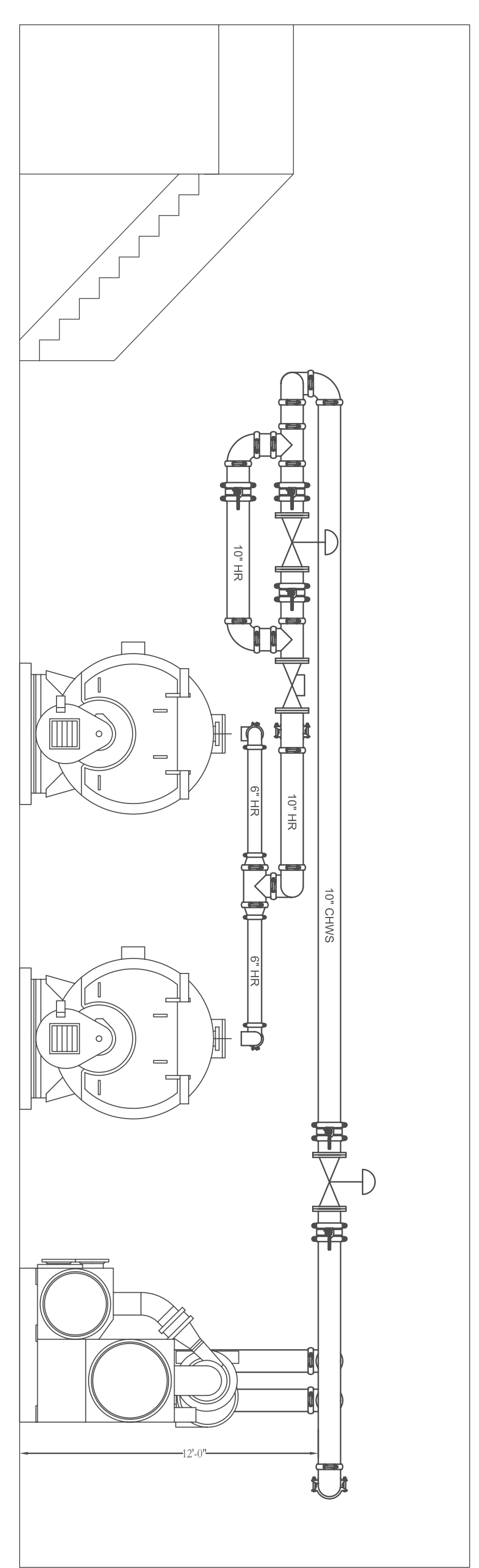


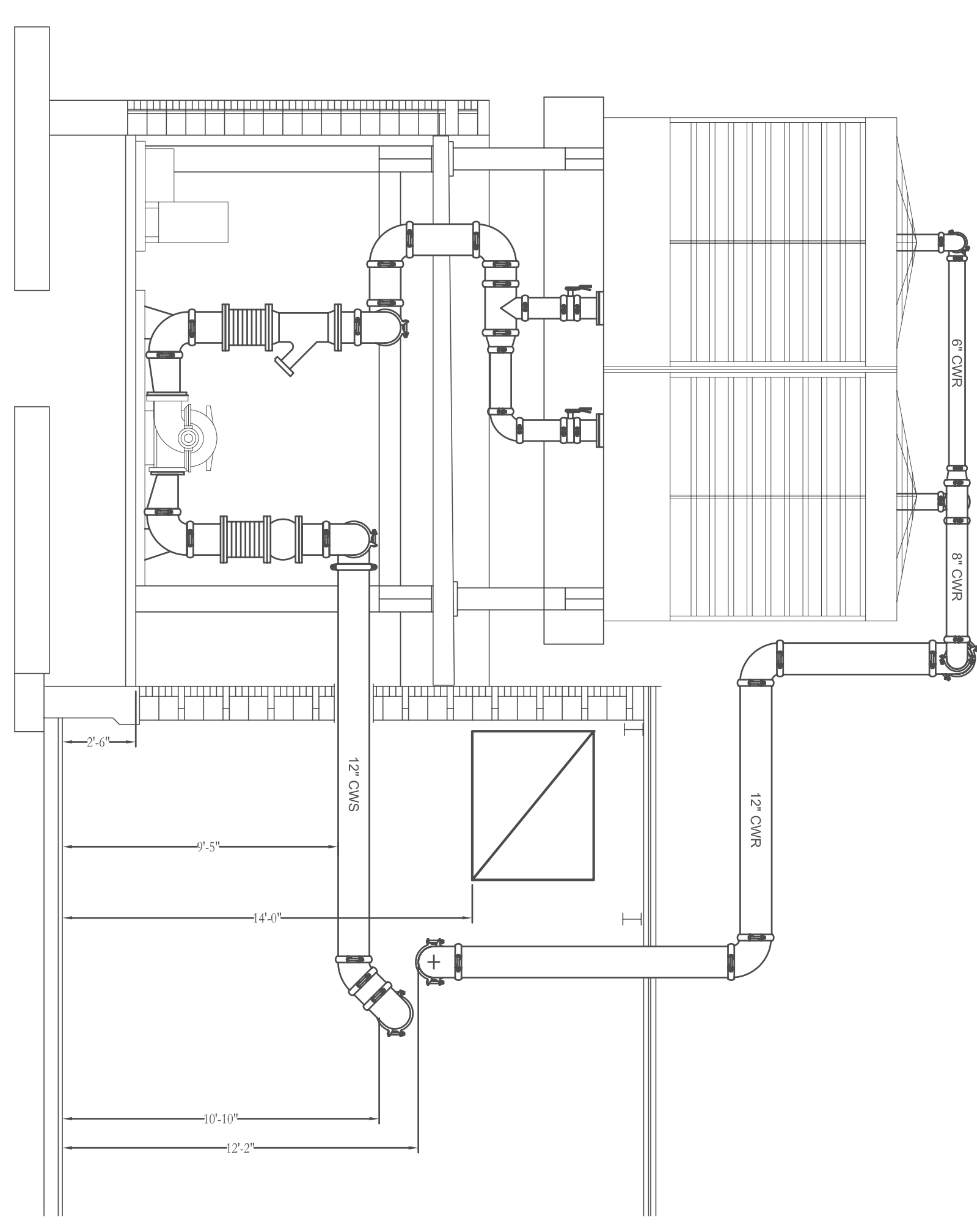
A B C D E F G H J K L M N P Q R S T U



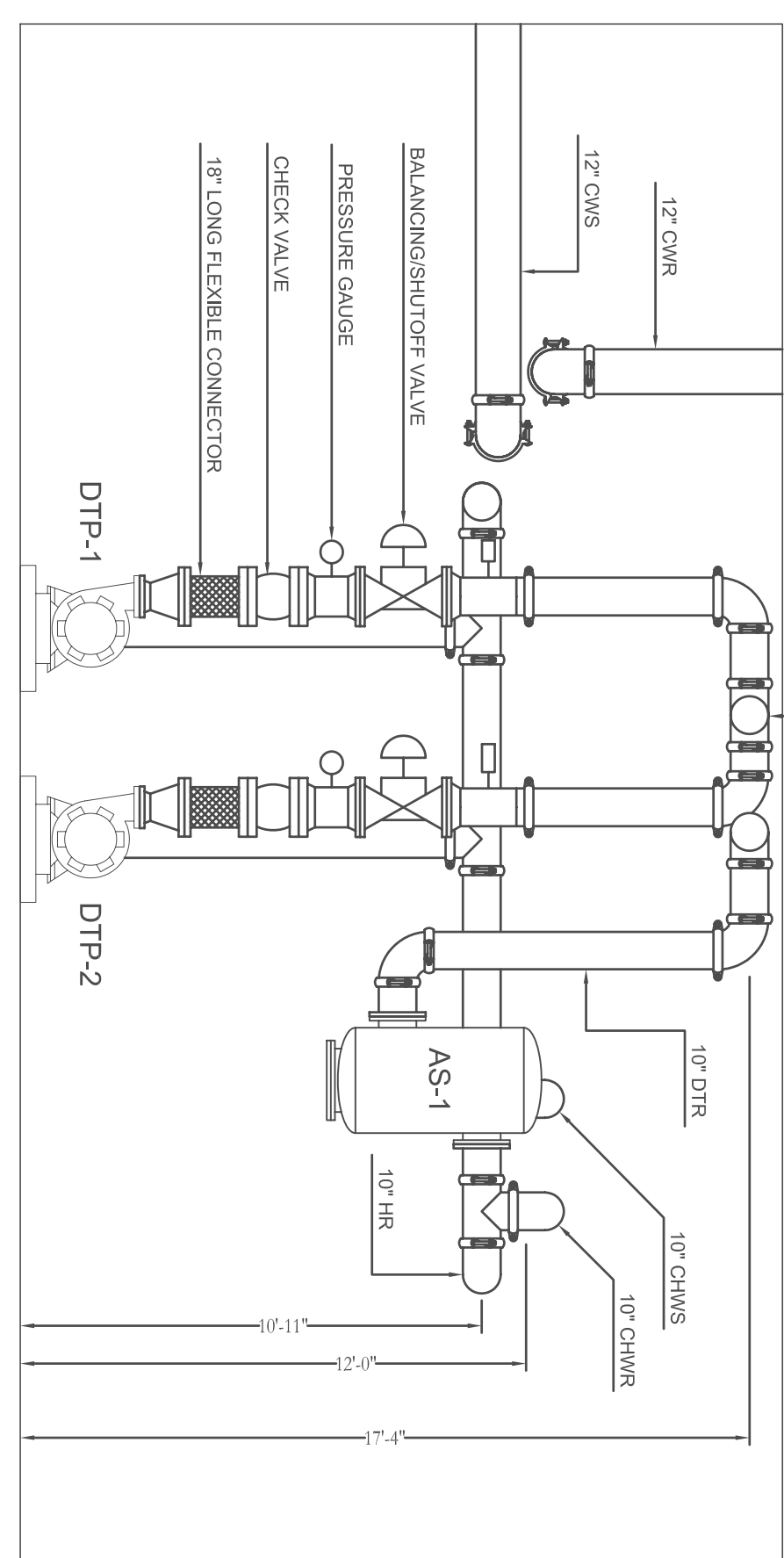
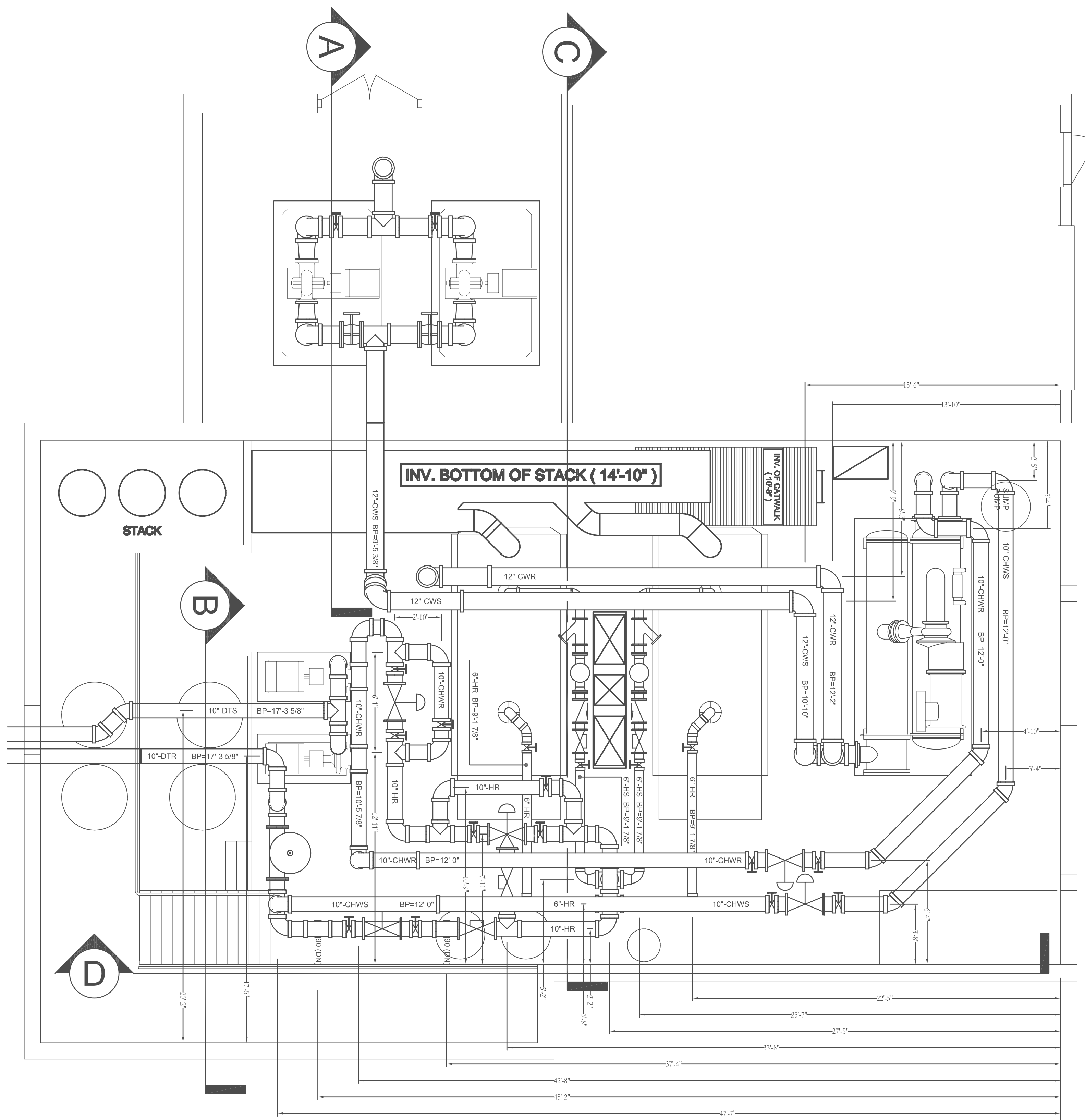
SECTION "C"



SECTION "D"



SECTION "A"



SECTION "B"

RECORD OF TRADE COORDINATION			
TRADE	COMPANY	DATE	AUTHORIZED SIGNATURE
ELECTRICAL			
MECHANICAL			
PLUMBING			
SHEET METAL			
SPRINKLER			
GEN. CONT.			
ENGINEER			
ARCHITECT			

REVISIONS:			
NO.	DESCRIPTION	BR.	DATE

PLAN NORTH

SPARROWS POINT MIDDLE/HIGH SCHOOL
SYSTEMIC RENOVATIONS (BOILER ROOM)

Commercial CAD
630 Eastern Ave.
Baltimore, MD 21224
E-mail: commercialcad@juno.com
Web: www.commcad.com
Ph: 410.918.1424 Fax: 410.918.1434

PHILLIPS WAY, Inc.
2901 DEDE ROAD, SUITE 200
FINKSBURG, MD 21046
(410) 526-0966 FAX (410) 526-5560



MECH. ENGINEER: 1-3
BY: SOFINOWSKI
TYPE OF DRAWING: PIPING
SHEET: 14
MP 14